

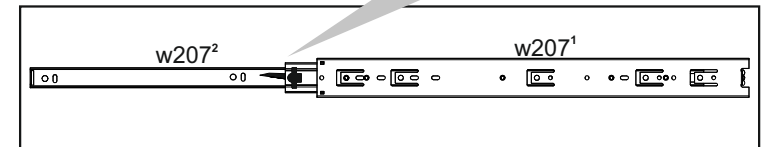
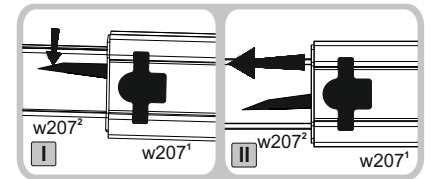
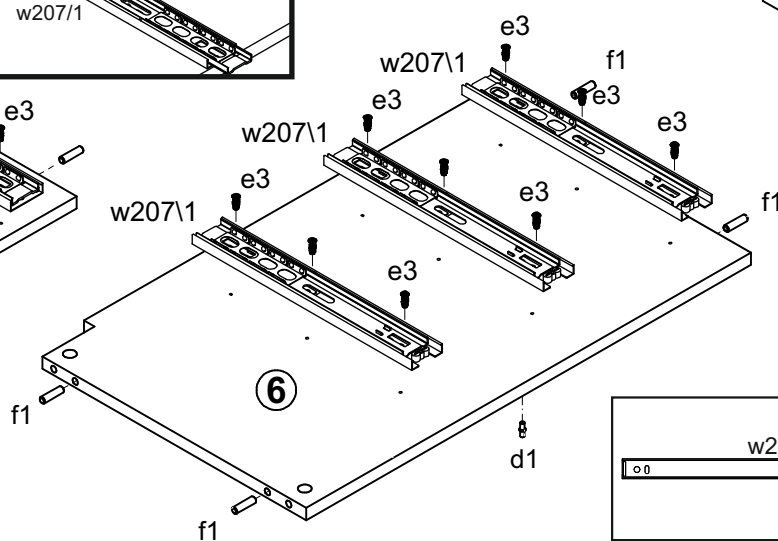
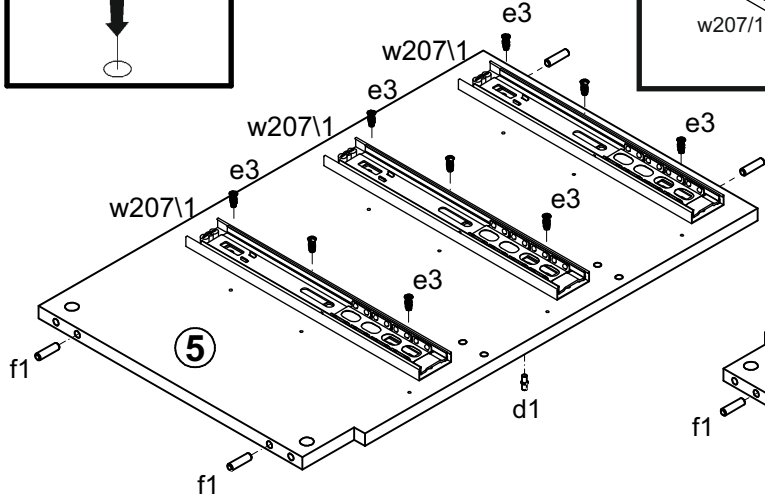
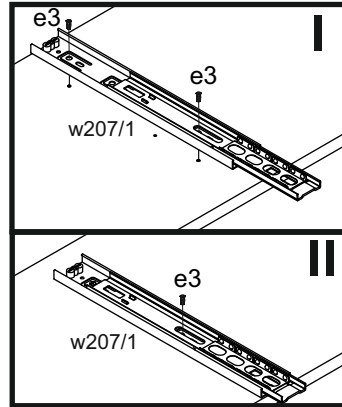
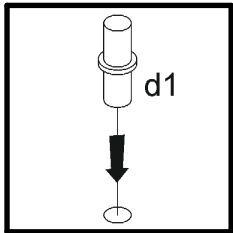
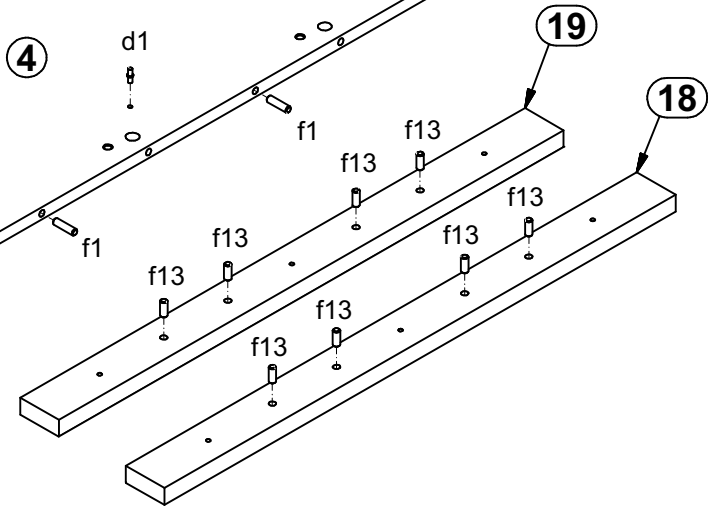
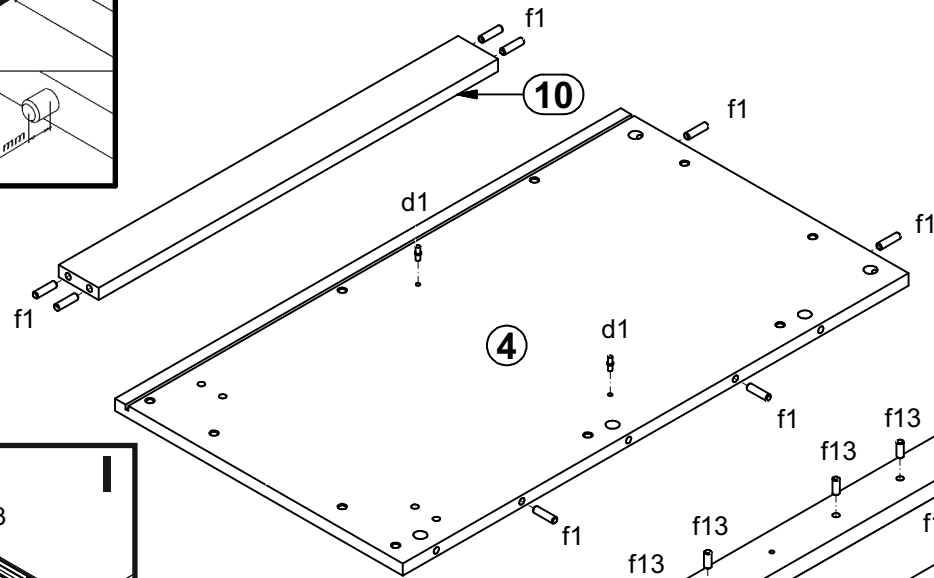
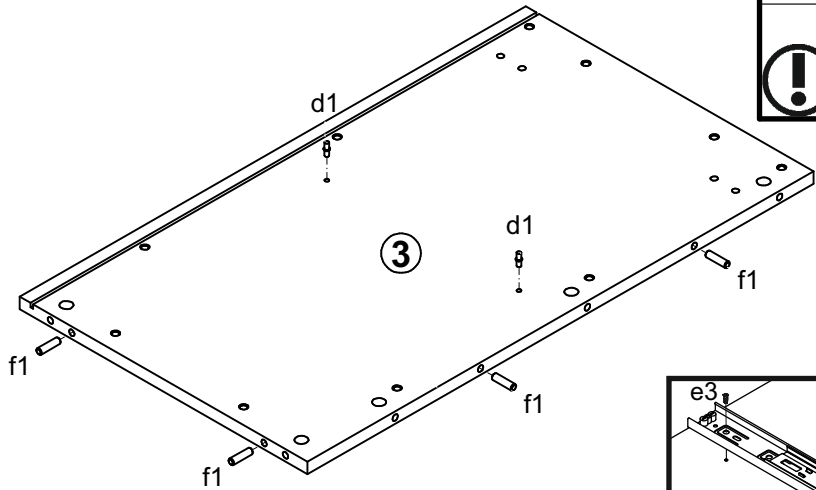
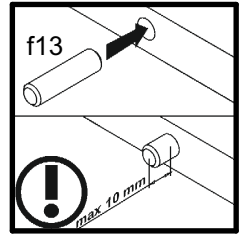
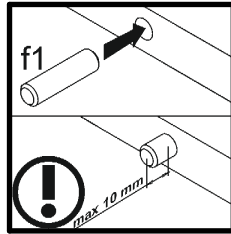
120 min

n 10 mm  
n 5 mm

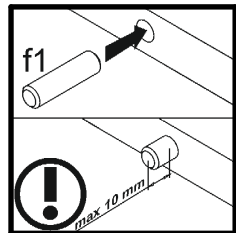
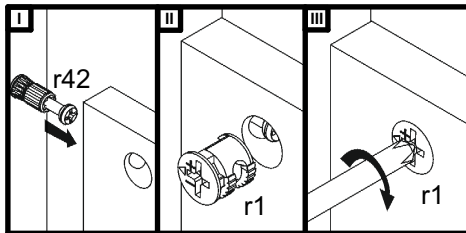
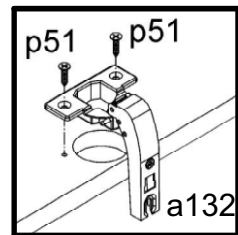
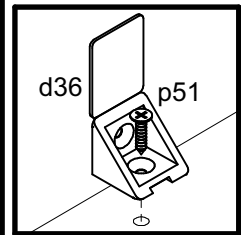
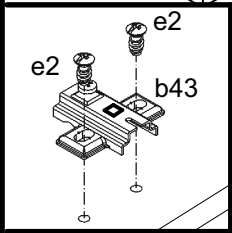
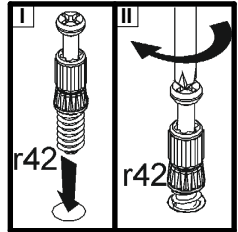
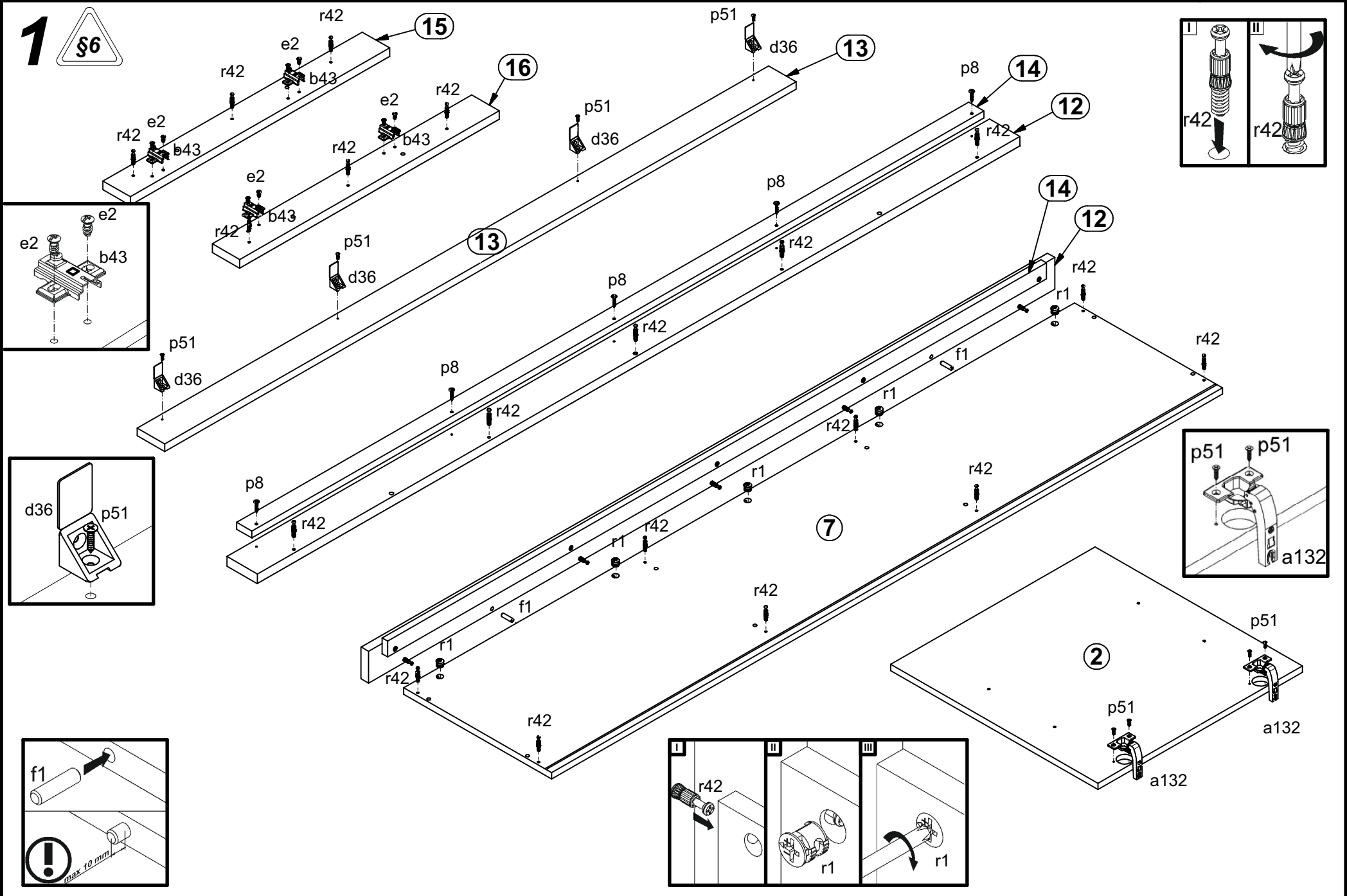
A	B	C (mm)	D
1	S228-0006A	604	192
2	S228-010	596	604
3	S228-116	758	431
4	S228-117	758	431
5	S228-118A	666,5	411
6	S228-119A	666,5	411
7	S228-2206	1955	431
8	S228-319	1923	411
9	S228-3320	646	400
10	S228-405	598	60
11	S228-531	147	100
12	S228N-5518	2000	80
13	S228N-5519	1840	80
14	S228N-5520	1920	60
15	S228N-5537	756	80
16	S228N-5538	756	80
17	S228N-5539	431	80
18	S228N-5540	766	58
19	S228N-5541	756	58
20	S228N-5542	315	80
21	S228-953	686	329
22	S228-954	686	307
23	S228-9955A	550	350
24	S228-504N	350	140
25	S228-505N	350	140
26	S228-517N	540	140
27	S228-971	686	307
28	Lh-658	658	14

4x  a132	2x  a133	4x  b43	5x  c280	8x  d1	4x  d36	10x  e1	8x  e2	18x  e3	20x  e22	32x  f1	16x  f13	12x  f25
10x  j30	8x  k1	2x  k101	21x  l1	18x  l2	10x  n108	1x  n14	1x  p17	6x  p25	18x  p140	2x  p38	16x  p51	5x  p8
10x  p55	4x  p79	31x  r1	31x  r42	6x  w207/1	6x  w207/2	3x  t19	1x  z1	10x  s1	8x  s2	4x  o21	1x  f35	

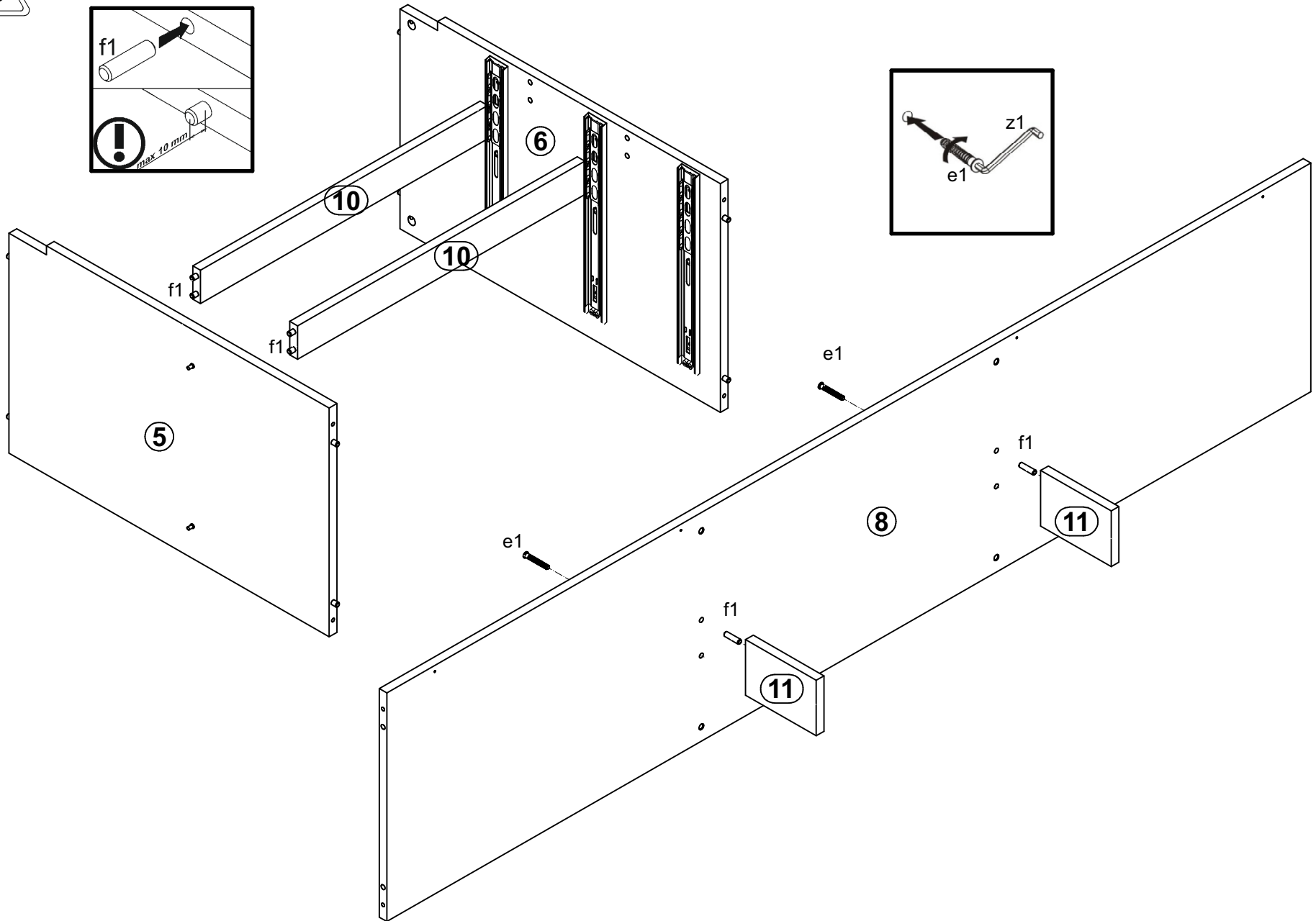
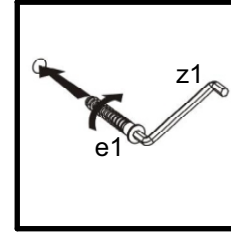
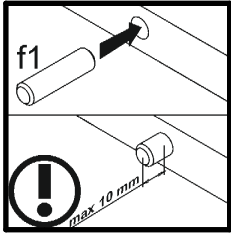
**1** §2 §6



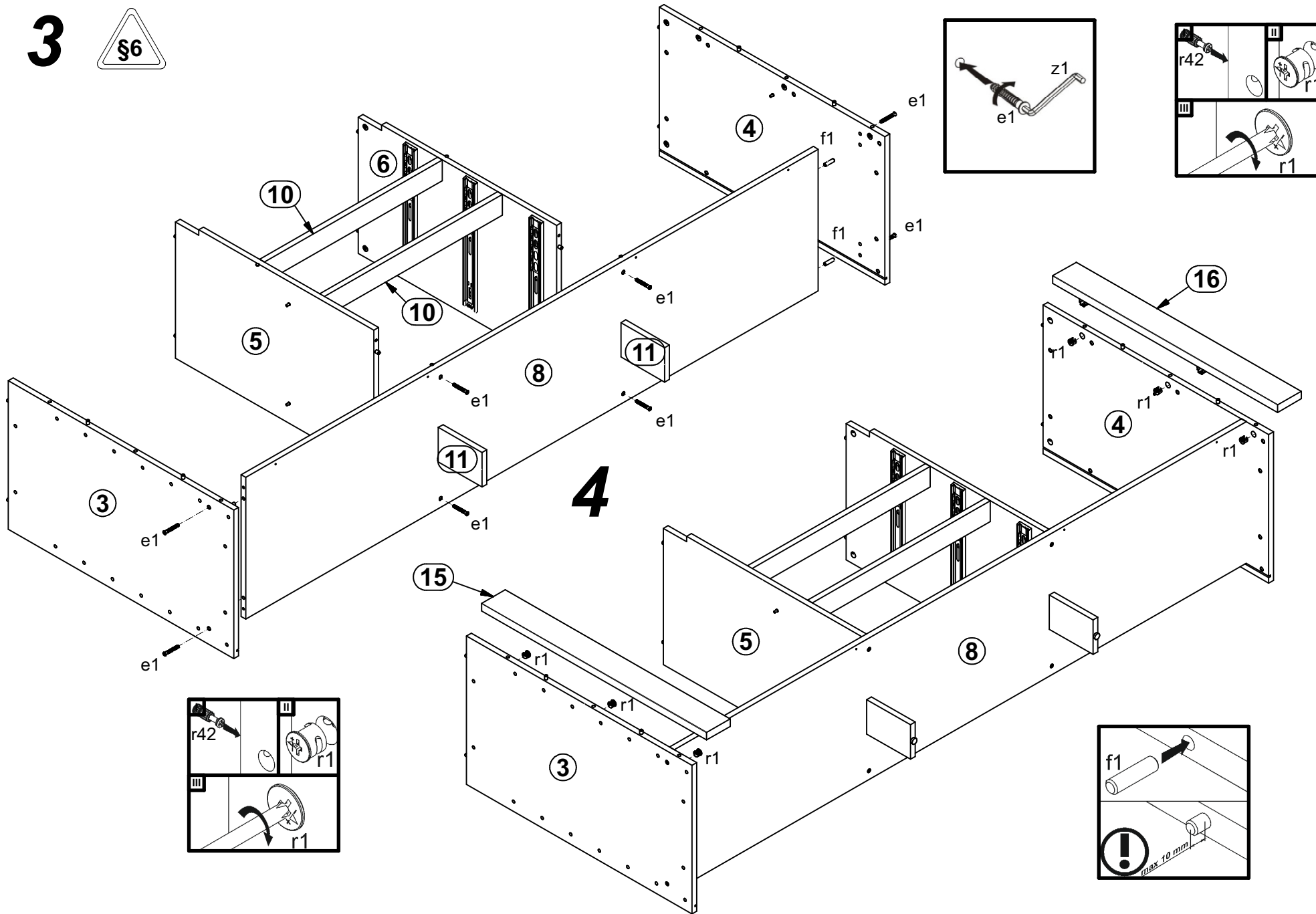
**1**  S6



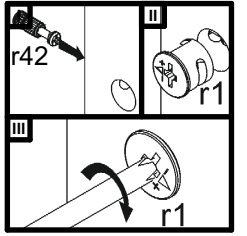
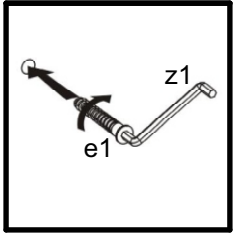
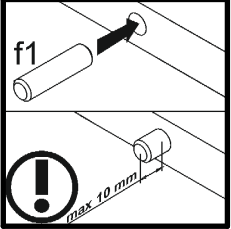
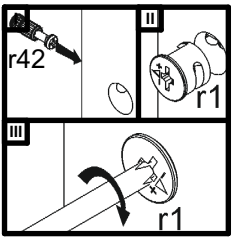
2



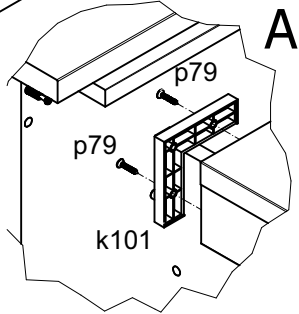
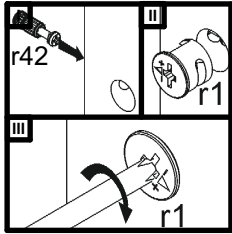
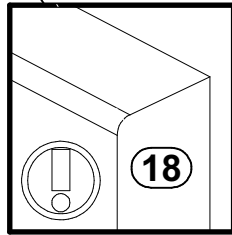
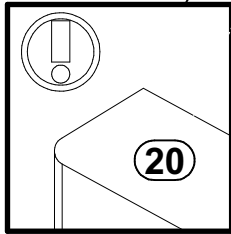
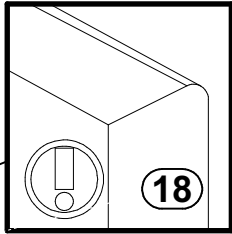
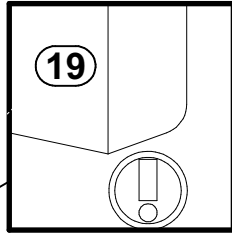
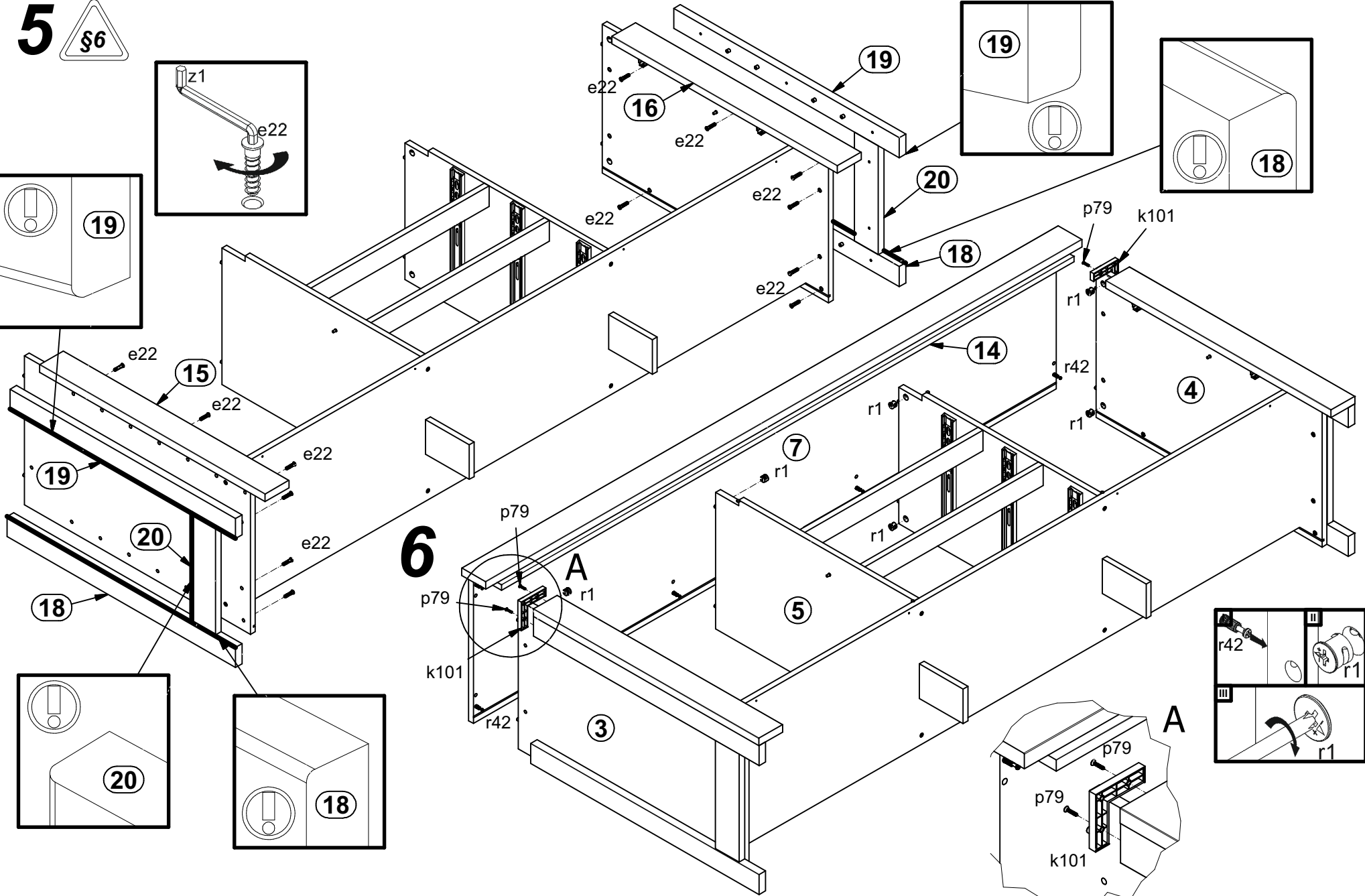
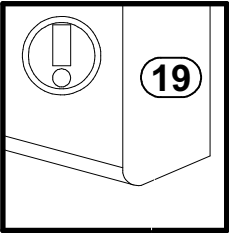
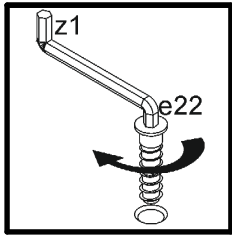
3



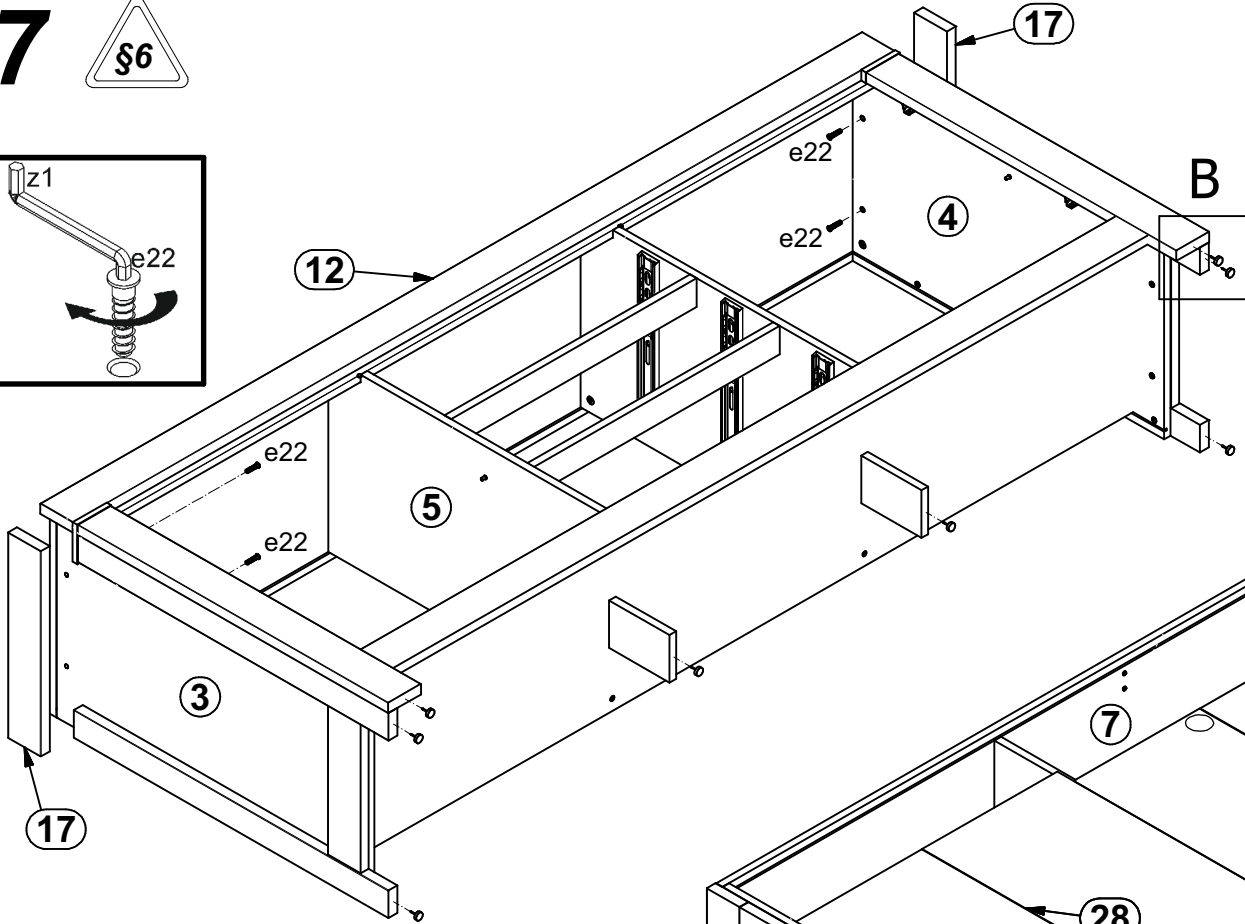
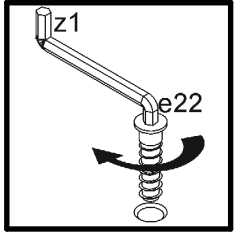
4



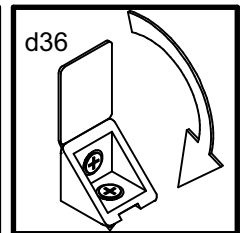
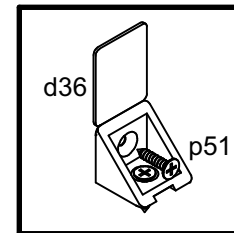
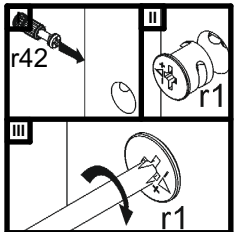
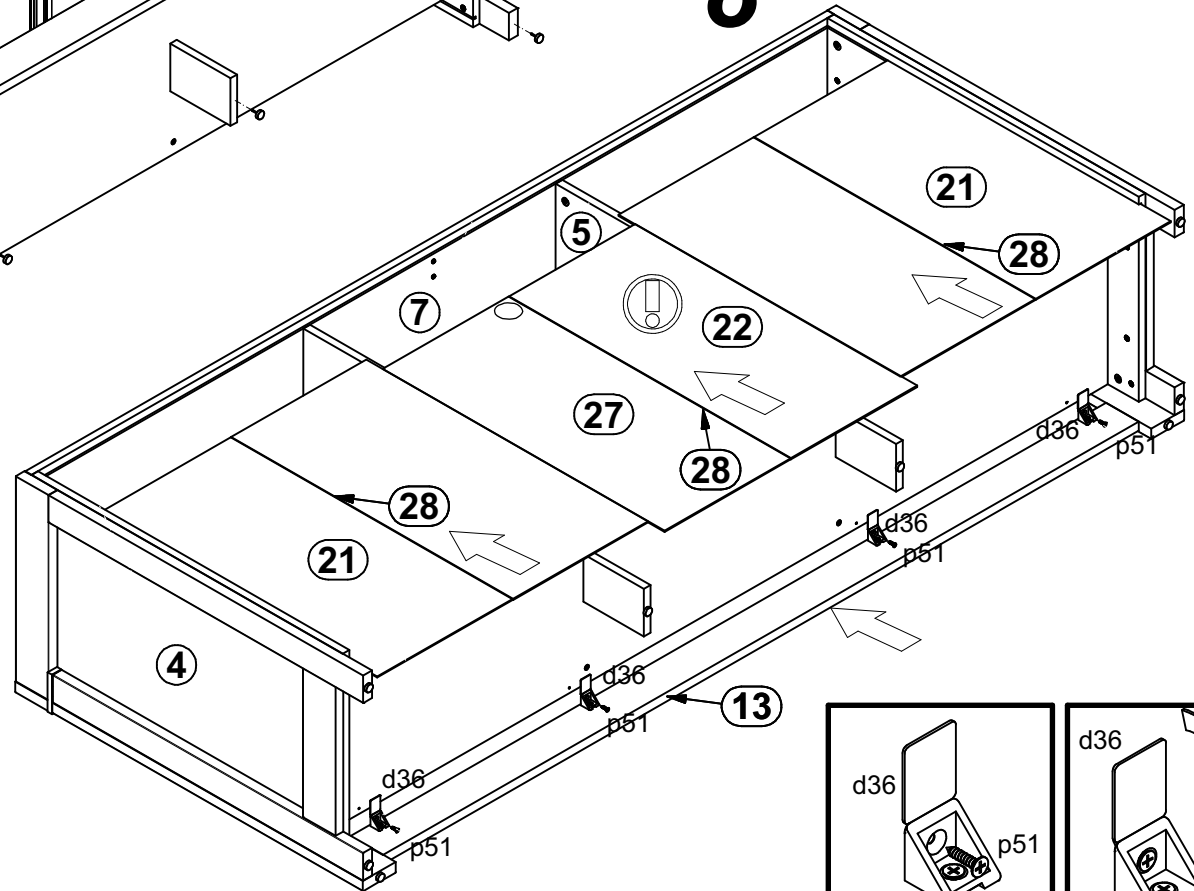
# 5



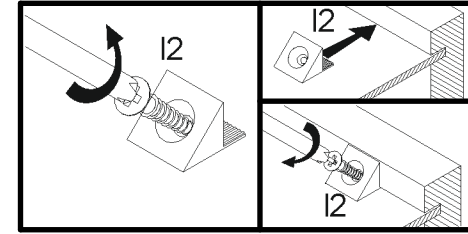
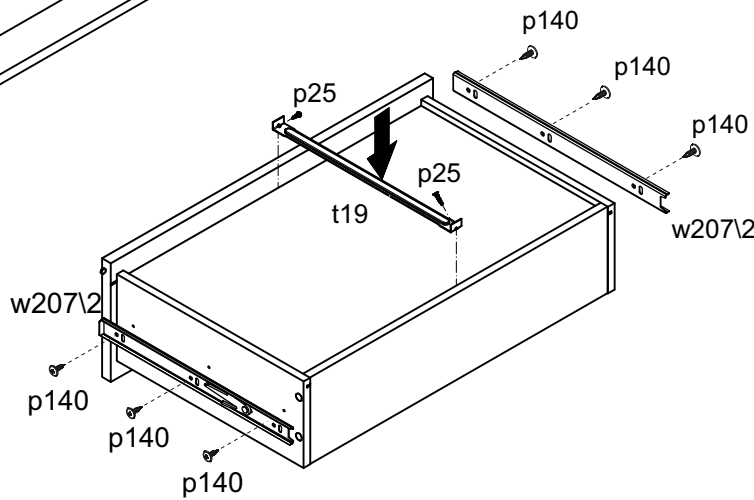
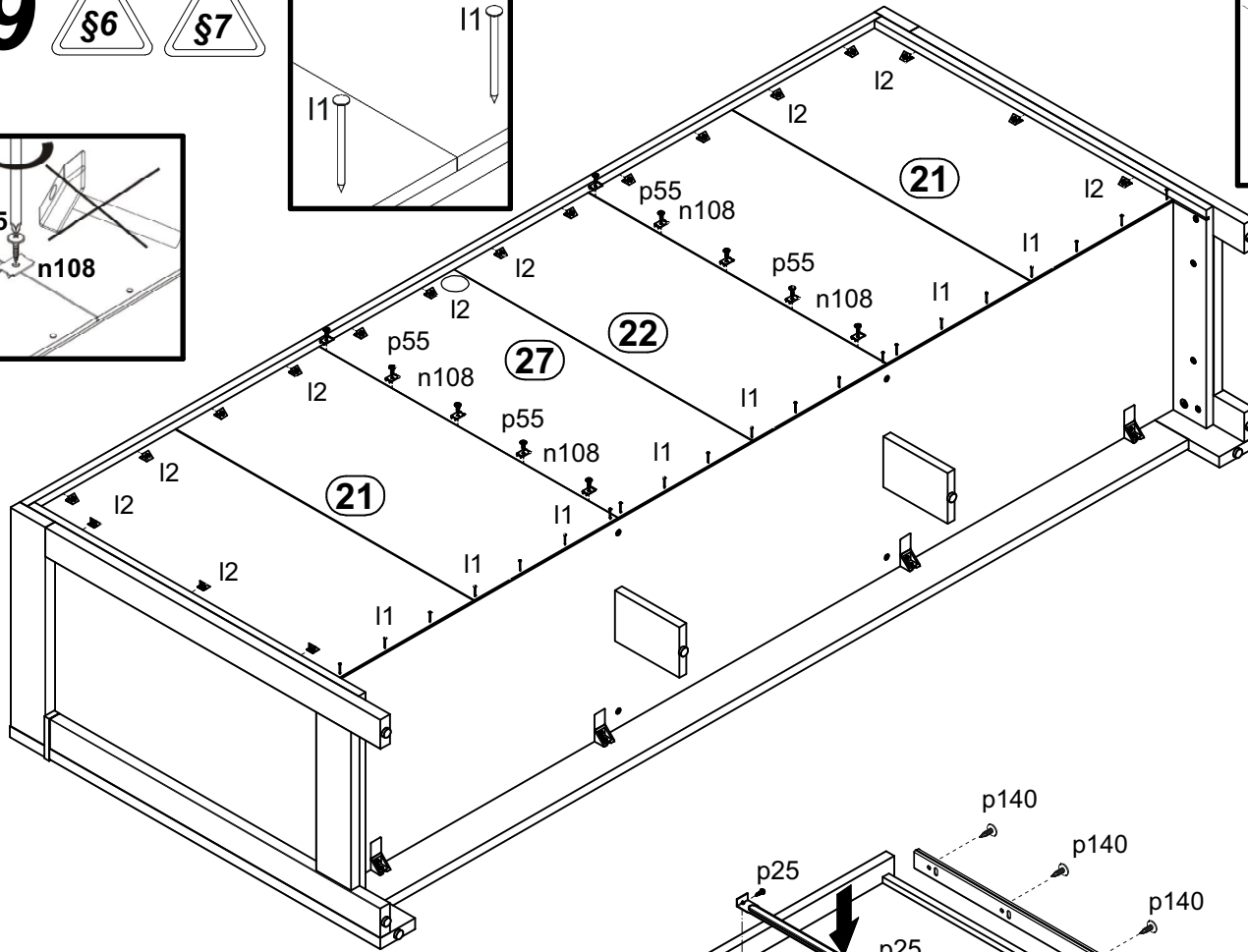
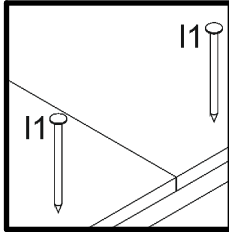
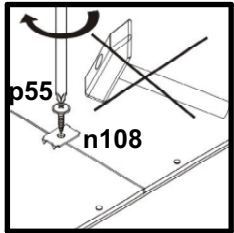
# 7



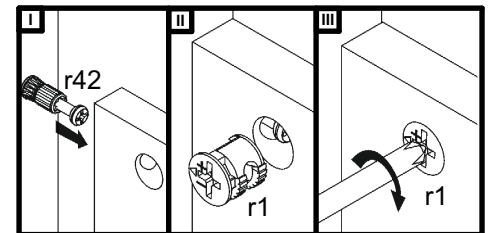
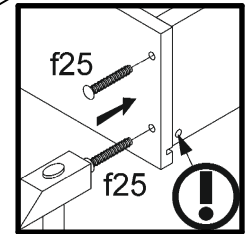
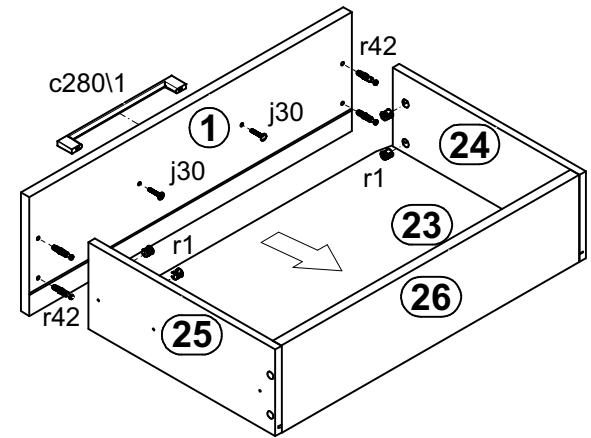
# 8



**9** §6 §7



**10**





11

