

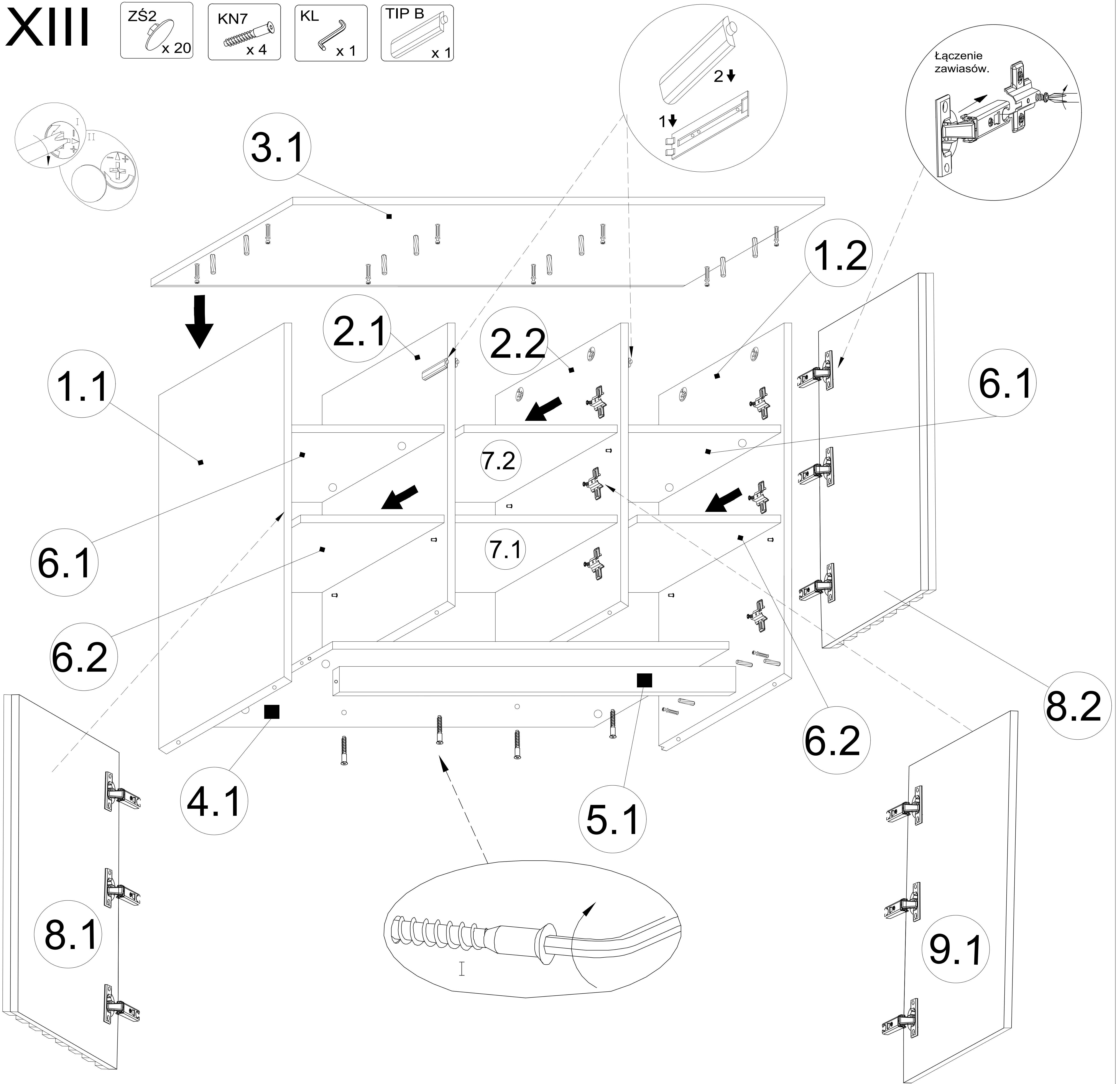
XIII

ZŚ2
x 20

KN7
x 4

KL
x 1

TIP B
x 1



XIV

GW
x 80

